



- Continuous Lens System
- Built-in HDMI 4K digital image output system

# OralOptix Prime<sup>®</sup>

Operating Microscope

To see a small beginning



German Lenses



# Imaging Configuration (Built-in)

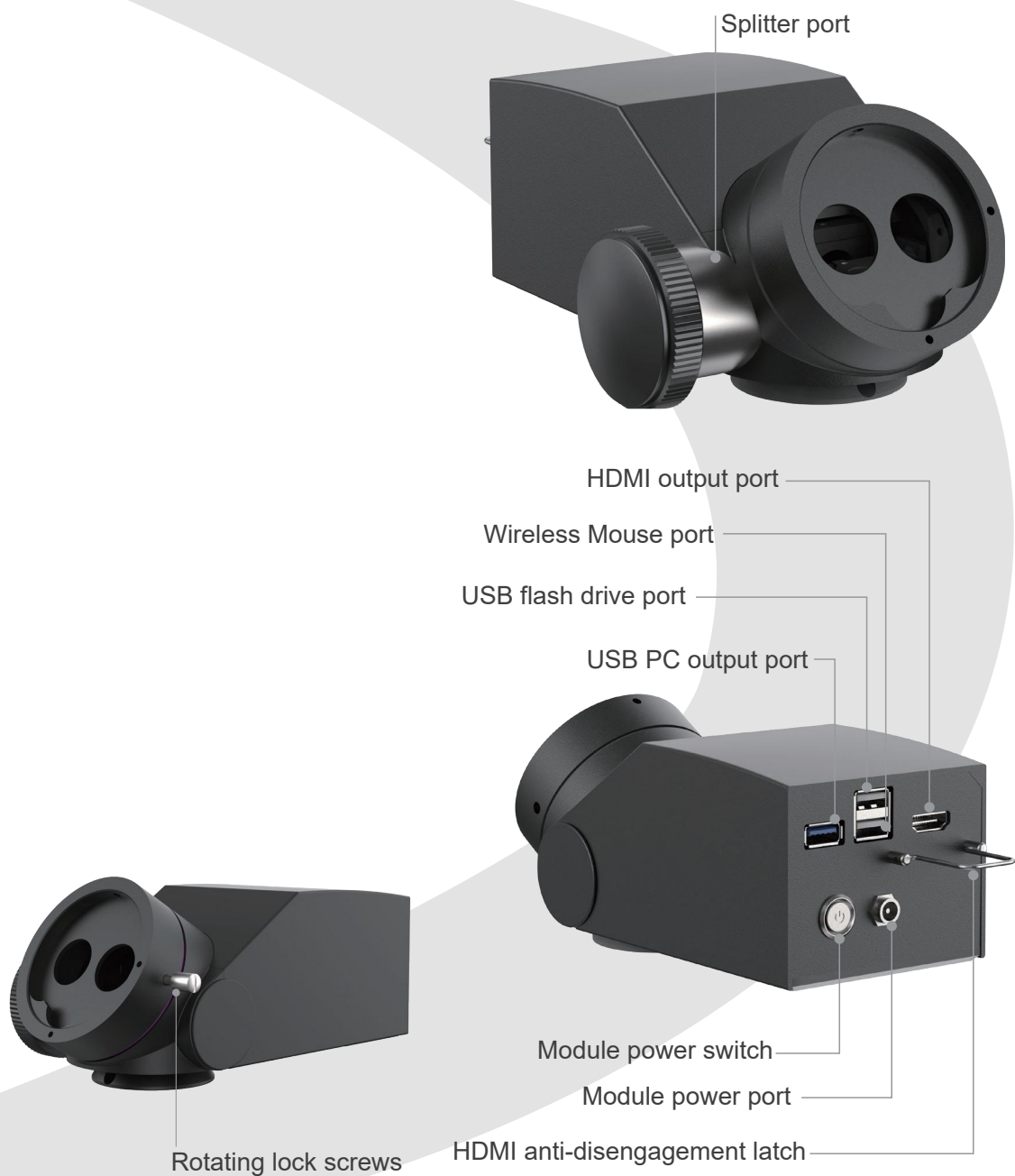
Built-in HDMI 4K Full HD digital image output system.

During treatment, the high-definition image is clearly displayed through the connected monitor, which is helpful for conducting clinical work, teaching, scientific research, and facilitating communication between the dentists and patients.



Built-in 4K module

# Built-in 4K High-Definition Image Output



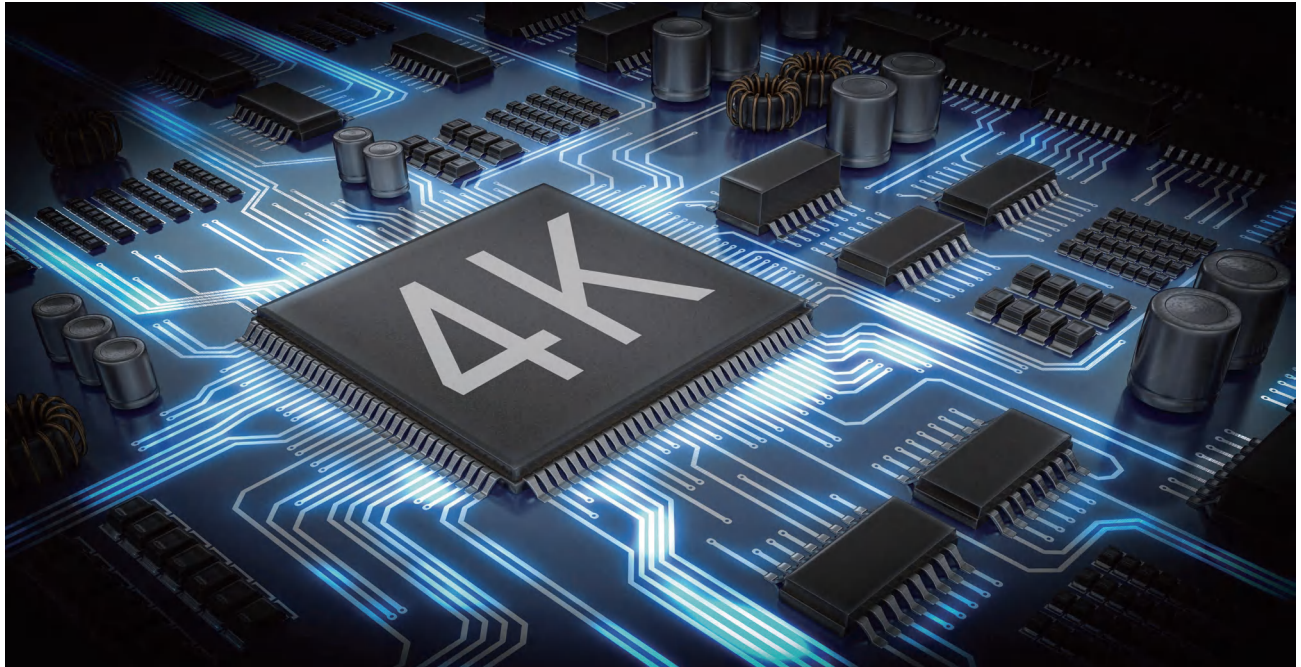
4K functions: integrated image module, rotating ring, extender, and spectrophotometer.

HDMI signal output to the display.

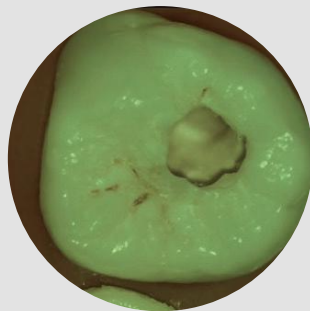
With a USB port for connection to a wireless mouse and USB flash drive, the photos and videos taken can be stored on the USB drive.

# Four-in-One Integrated 4K Module

4K Ultra-HD camera and video module: the resolution is four times that of 1080P, presenting ultra-clear and detailed images. The video can be stored on a high-speed USB drive after capture, with a wireless foot control function for convenient and quick operation.

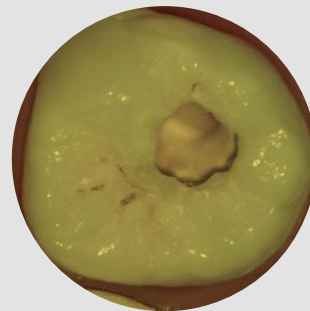


## Built-in Orange Filter + Green Filter



**Green Filter**

Enables you to see tiny nerves and vessels clearly in the surgical environment, even with blood present.



**Orange Filter**

Prevents resin material curing interference from curing too quickly.

# German Schott Glass

## The Ultimate Optical Experience

---

German Schott Glass is designed to eliminate colour differences and features a multi-layer optical coating to improve visibility. It clearly restores the details of the operating area, providing better colour fidelity and light sensitivity, and adapts well to both high-brightness and extremely dark shooting environments.



# Continuous Lens System

---

Turn the magnification adjustment knob to achieve continuous, smooth, and seamless operation. The vision will not be interrupted during the zoom in process. The magnification factor can be continuously adjusted from 0.4X to 2.4X, and the total magnification can range from 3.4X to 21.4X. Continuous magnification allows the doctor to maintain a clear field of vision under the microscope for uninterrupted observation.



# Continuous Lens

# 290mm Zoom Objective Lens

With an extended working range of 190-480mm, the system accommodates full oral depth coverage, eliminating positional adjustments during procedures. There is no need to move the microscope or change the working position; instead, simply adjust the focus of the objective lens to achieve clear vision, efficiently and quickly.





## **No External Cables**

The entire instrument has cable-free design enhancing ergonomic flexibility. This sleek and aesthetically pleasing microscope integrates perfectly into the clinical environment

## **Ease of Maintenance**

Modular design allows for quick troubleshooting of faulty modules, enabling swift maintenance and repair. Machine troubleshooting and repairs can be completed within 10 minutes

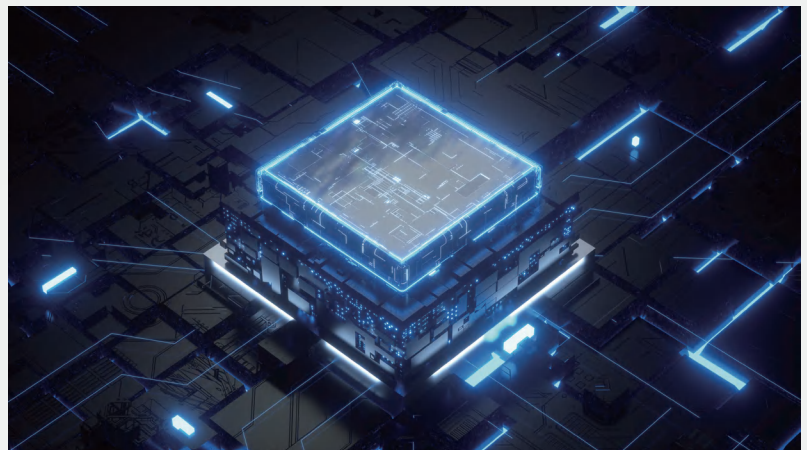
## German-engineered Gas Spring Balance Arm

The spring can actively balance, and the damping double-adjustment balance arm system offers more active balance than traditional single-damping arms, offsetting the influence of gravity. This allows the microscope's main mirror to achieve optimal balance. The microscope's main mirror can hover at any position and can be adjusted smoothly.

## Medical-grade LED Illumination

Utilising a top-level medical LED light source with a lifespan of 65,000 hours.

The high colour rendering index is close to natural light, providing more realistic colours and reducing eye fatigue.



# Flexible Operation

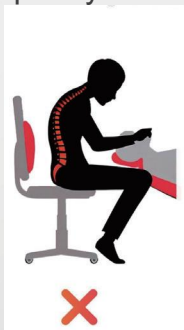
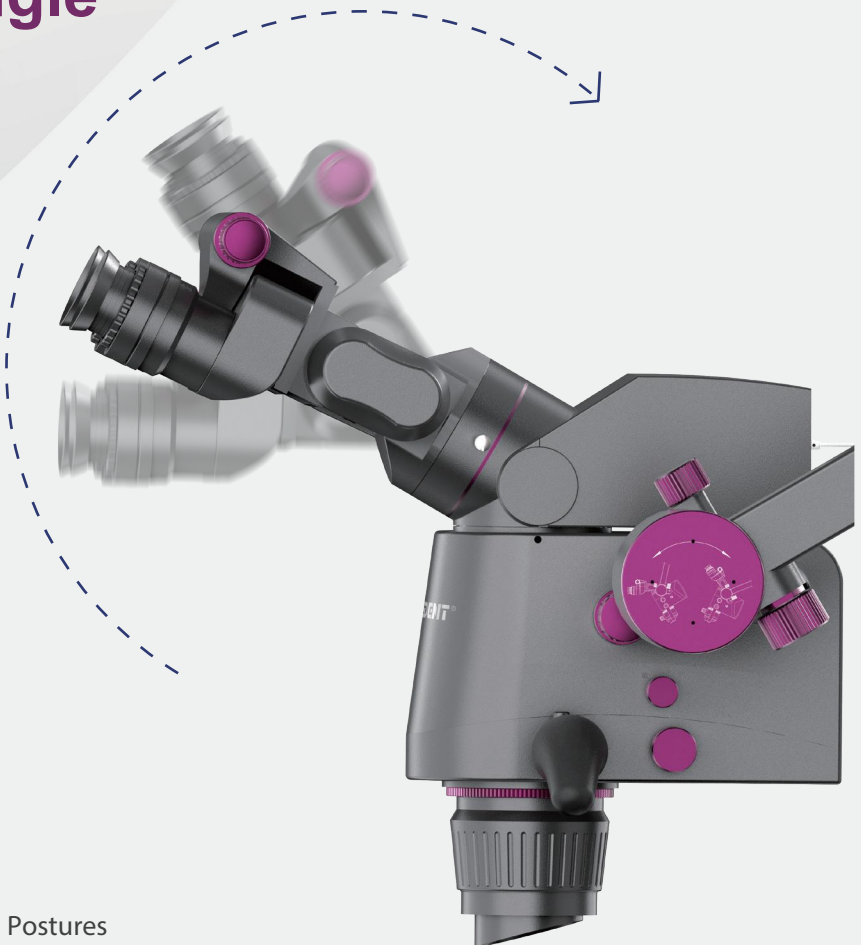
## Fluid, Precision Control

While maintaining the horizontal viewing position of the eyepiece, the lens position can be adjusted forwards and sideways using very smooth manual controls.



## 0-220° Variable Angle Binoculars

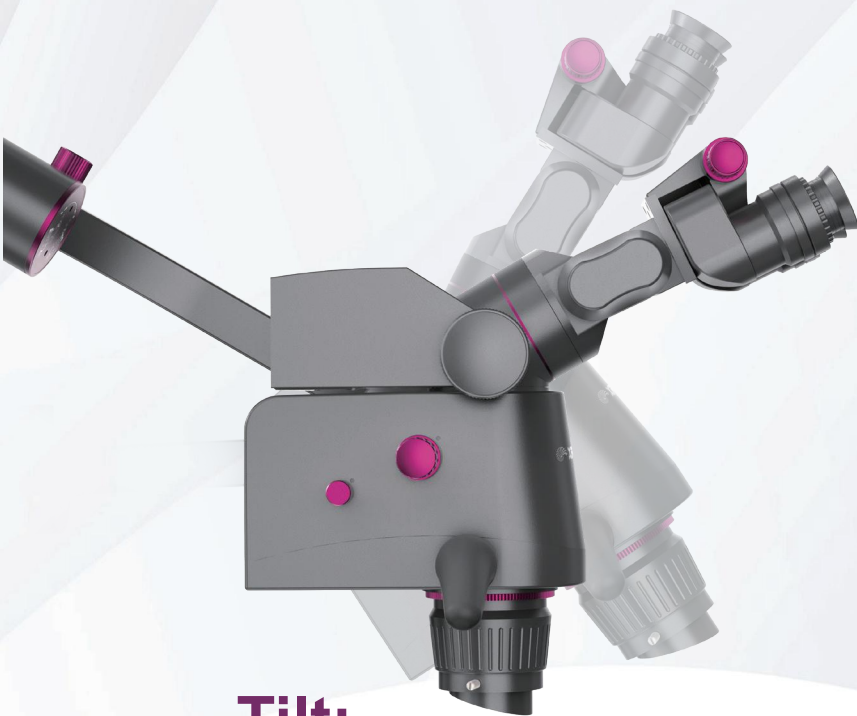
These can be adjusted as required, providing a comfortable posture during different operations to improve work flexibility. It effectively reduces and prevents muscle strain on the waist, neck, and shoulders, helping clinicians avoid issues such as cervical spondylosis and lumbar spondylosis.



Reduces Occupational Strain: Supports Neutral Postures

## Pendulum System

Horizontal: This allows observation from any angle.



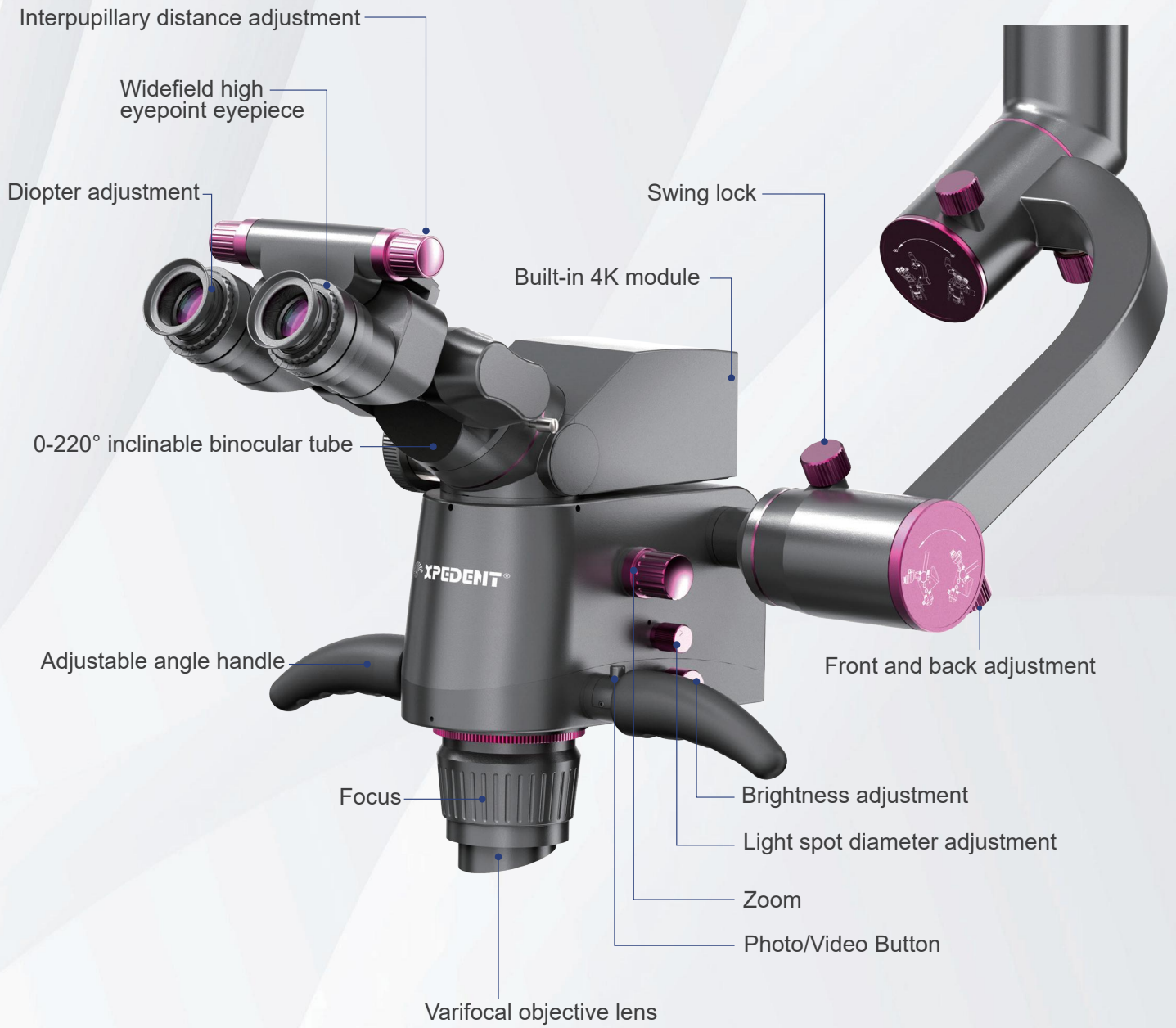
## Tilt:

The mirror body can be tilted back and forth, enhancing operator comfort for a variety of different operations.

# Product Components



# Product Components



# Basic Configuration

Zoom system	Stepless zoom system; zoom factor: 0.4×–2.4×; total magnification: 3.4×–21.4×
Binocular tube	220° rotatable binocular tube
Eyepiece	12.5× wide-angle eyepiece; diopter adjustment: ±7D; interpupillary distance adjustment range: 51–76 mm
Working distance	Focal length 190–480 mm (optional configuration)
Surface illuminance	100,000 LUX at 250 mm with daylight characteristics for excellent colour rendering
Illumination spot	Spot diameter 160 mm, stepless adjustable
Field of view diameter	Ø133 mm – Ø11.3 mm
Colour filter	Orange, Green
Balance system	Spring active balance + damping dual-adjustment balance arm system
Arm extension	1860 mm
Lighting system	LED illumination; continuously adjustable brightness; service life ≥ 65,000 hours
Auto shut off mechanism	Built-in limit switch in auxiliary arm automatically turns off the light when the arm reaches maximum height
Installation method	Column roller type, “H”-shaped base, ceiling mounted, wall mounted
Integrated video system	4-in-1 module: integrated 4K HD digital code, rotating ring, 30° optical extension, digital camera interface
Recording & storage device	USB storage; supports fast storage for capturing clear images and videos
External imaging solution	Digital camera interface (compatible with Sony, Canon, Nikon); 30° optical extension with integrated stereo beam splitter (2:8 or 5:5); rotating ring; wireless camera foot pedal; built-in power supply and HD cable for digital camera

## Option

### Microscope Screen



Supports 8/10 - bit colour  
Resolution

- Maximum: 3840 x 2160 60 Hz
- Recommended: 3840 x 2160 60 Hz

Power Supply

- Power Input: 19 V 2.0 A
- On mode: 36 W typical (factory conditions)
- Standby mode (monitor mode): ≤ 0.5 W
- Off mode: ≤ 0.3 W

Display Size (W x H x D)

With Stand: 622.6 mm x 572.2 mm x 230.0 mm  
Without Stand: 622.6 mm x 371.0 mm x 45.8 mm

Mass (Excluding Packaging)


- With Stand: 6.0 kg
- Without Stand: 4.4 kg

## Follow up

 xpedent\_international

 Xpedent International

 Xpedent

 jenny@xpedent.com

[www.xpedent-intl.com](http://www.xpedent-intl.com)



European Authorized Representative

Company  
SUNGO Europe B.V.

Address  
Fascinatio Boulevard 522, Unit 1.7, 2909VA Capelle aan den  
IJssel, The Netherlands

Email  
Jenny@xpedent.com